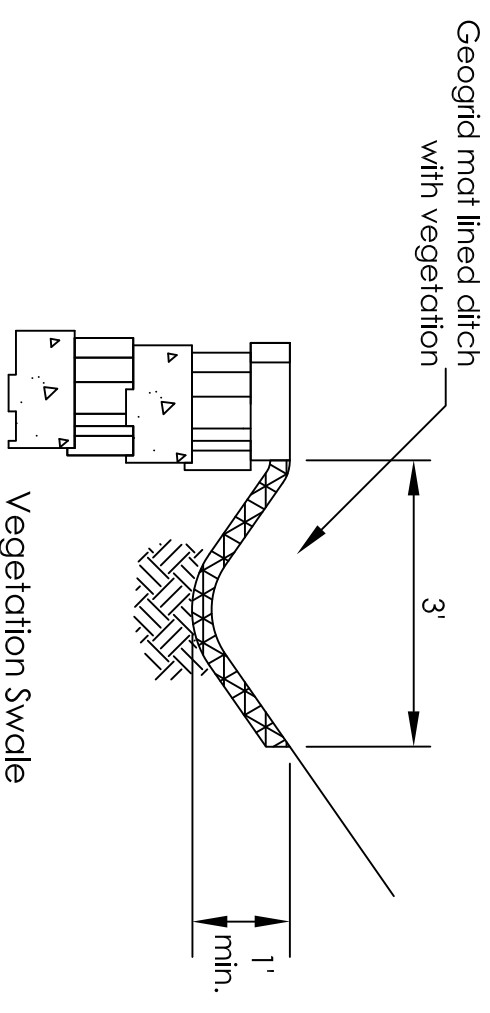
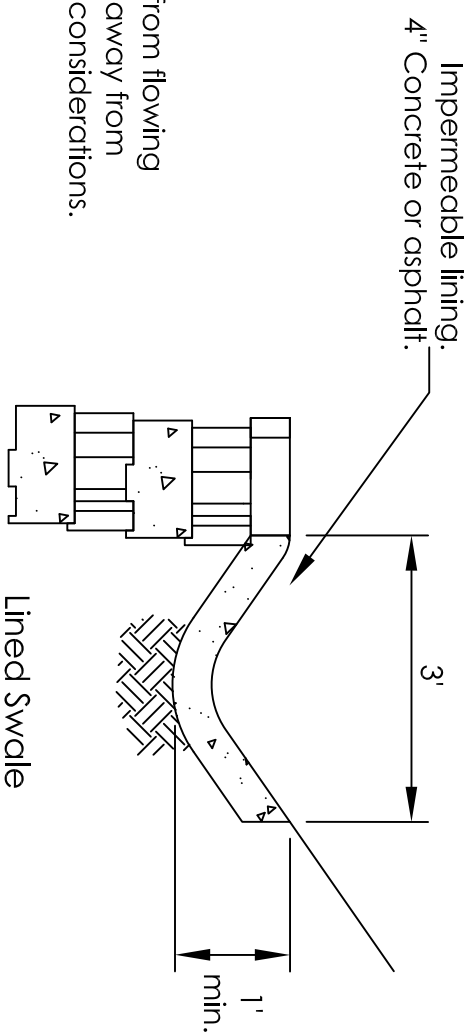


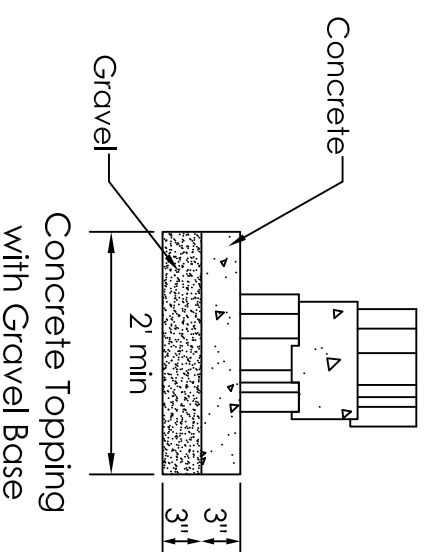
Brow Ditch & Leveling Pad Details

Classic 6

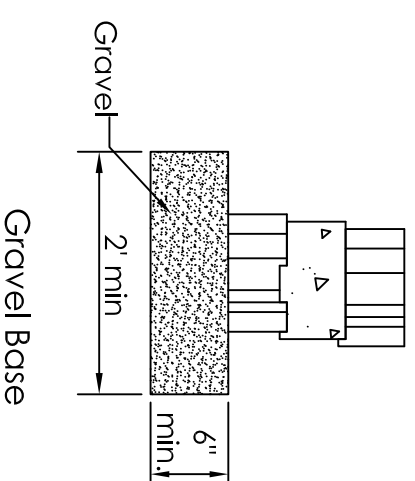
Required to divert surface runoff from flowing over face of wall, to divert water away from back of wall area, and for safety considerations.



Drain Ditch Options
Scale: None



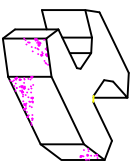
Leveling Pad Options
Scale: None



This drawing is furnished for preliminary design purposes only, and should not be used for final design drawings or construction drawings without the certification of a professional engineer registered in the state in which the wall will be constructed

No.	Date	Revision	By

REMOVED BY:



ROCKWOOD
RETAINING WALLS
A better way

LEGEND	
	Impermeable Compacted Fill
	Native Soil
	3/4" Crushed Stone
	Leveling Pad
	Geogrid

Project Name:	XX	Prepared for:	CCC
Project Location:	YY	Drawn by:	DDD
Drawing Description:	Brow Ditch & Leveling Pad Details	Sheet # of \$	Created by:
		Date MM/DD/YYYY	
		Project Number: WWPRO#	