

Block Dimensions

Classic 8

General Information

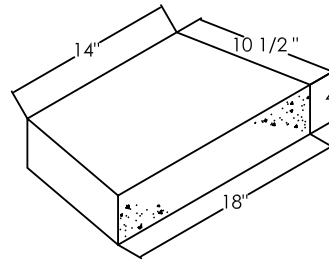
Absorption...Meets or exceeds ASTM C90-75 standards
 Compressive strength...3000 PSI Approximate minimum (unless otherwise specified)
 Composition . . . High strength, high density, "0" slump concrete

Unit Information

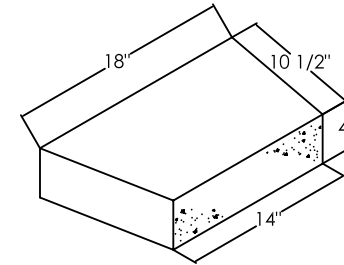
Beveled Classic Unit:
 8"H X 18"W X 12"D, 78 Lbs. Approx. 1.00 Sq. Ft. Face
 Straight Classic Unit:
 8"H X 18"W X 12"D, 78 Lbs. Approx. 1.00 Sq. Ft. Face
 Colonial 18 Unit:
 8"H X 18"W X 12"D, 78 Lbs. Approx. 1.00 Sq. Ft. Face
 Colonial 6/12 Unit:
 8"H X 6 1/2"W X 12"D, 78 Lbs. Approx. 1.00 Sq. Ft. Face
 Universal Cap
 4"H X 18"W Front and 4"H X 14"W Back, 54 Lbs. Approx.
 0.50 Sq. Ft. Front, 0.39 Sq. Ft. Back
 Average running length is 16" (see installation manual)

Face Options

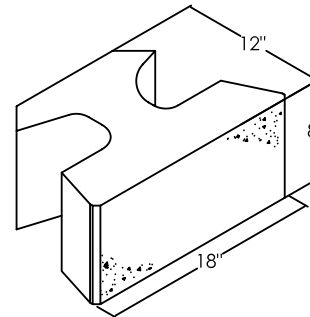
Face Patterns Beveled Split Face
 Straight Split Face
 Colonial Split Face



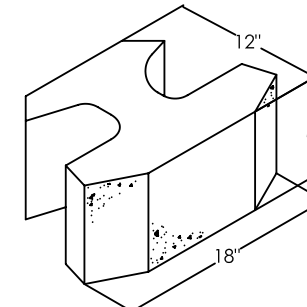
Universal Cap - front



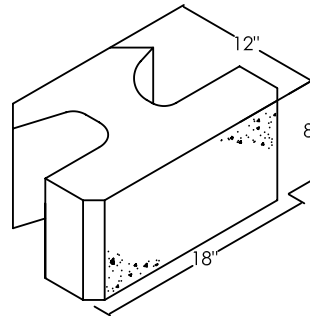
Universal Cap - Back



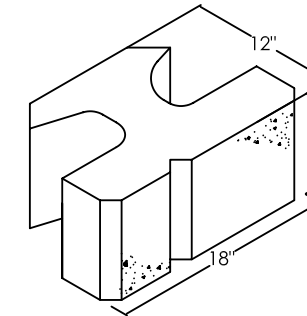
Classic 8 Unit (Straight)



Classic 8 Unit (Beveled)



Classic 8 Colonial (18 Unit)

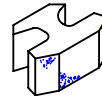


Classic 8 Colonial (6/12 Unit)

This drawing is furnished for preliminary design purposes only, and should not be used for final design drawings or construction drawings without the certification of a professional engineer registered in the state in which the wall will be constructed

| No. | Date | Revision | By |
|-----|------|----------|----|
| | | | |
| | | | |
| | | | |
| | | | |

Prepared by:



ROCKWOOD
 RETAINING WALLS
A better way.

Legend

| | | | |
|--|----------------|--|--------------------|
| | Impervious | | 3/4" Crushed Stone |
| | Compacted Fill | | Leveling Pad |
| | Native Soil | | Geogrid |

| | |
|----------------------|------------------|
| Project Name: | XX |
| Project Location: | YY |
| Drawing Description: | Block Dimensions |

| | |
|-----------------|------------|
| Prepared For: | CCC DDD |
| Drawn By: | |
| Checked By: | |
| Sheet # | or \$ |
| Date: | MM/DD/YYYY |
| Project Number: | WWWPRO# |