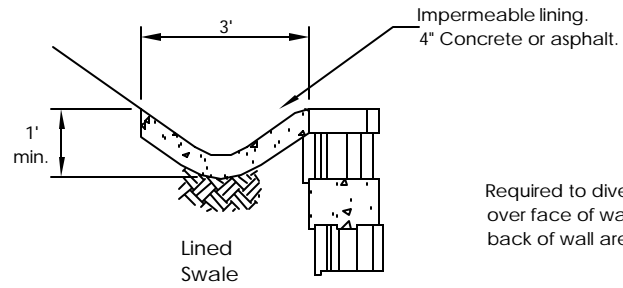
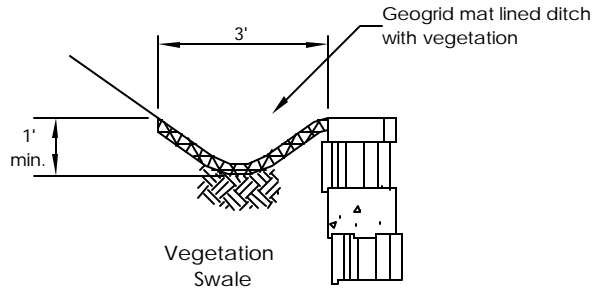


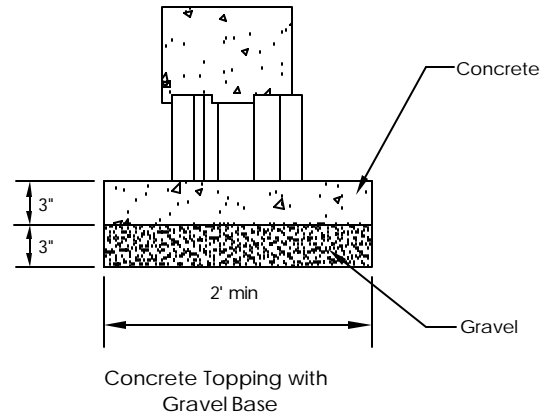
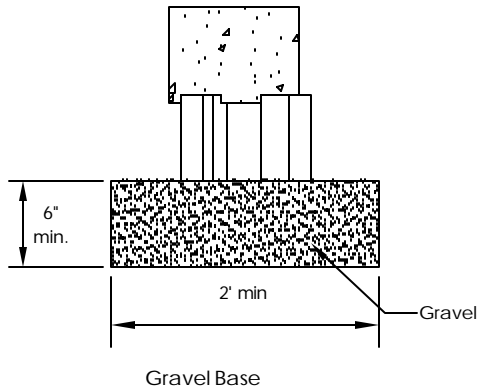
# Brow Ditch & Leveling Pad Details

## Classic 8



Required to divert surface runoff from flowing over face of wall, to divert water away from back of wall area, and for safety considerations.

Drain Ditch Options  
Scale: None

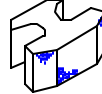


Leveling Pad Options  
Scale: None

This drawing is furnished for preliminary design purposes only, and should not be used for final design drawings or construction drawings without the certification of a professional engineer registered in the state in which the wall will be constructed.

No.	Date	Revision	By

PREPARED BY



**ROCKWOOD**  
RETAINING WALLS  
*A Better Way!*

LEGEND



XX	CCC
YY	DDD
#	\$
MM/DD/YYYY	
WWWPRO#	

Brow Ditch & Leveling Pad Details