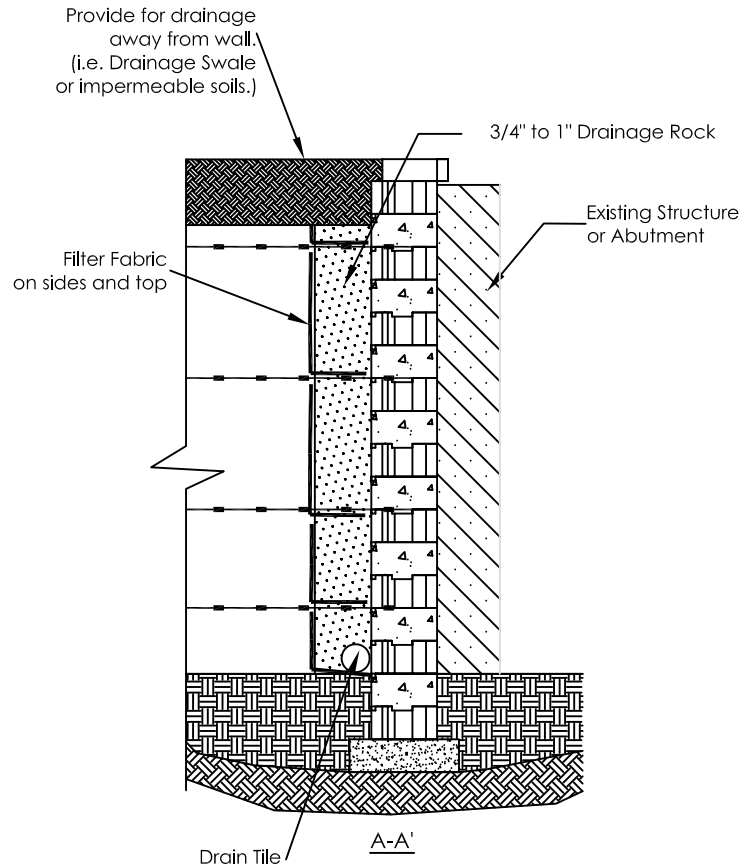
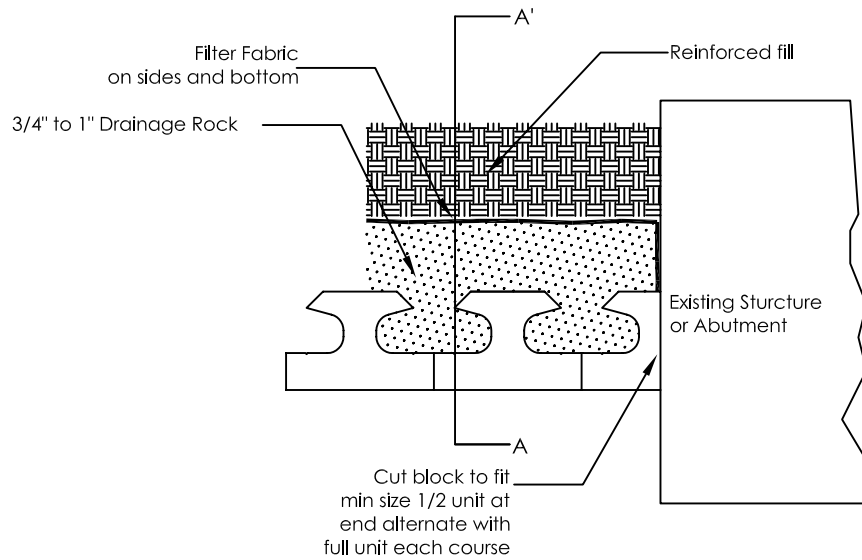


Wall Abutment Detail

Classic Colonial



- Notes:
- 1) See installation manual
 - 2) This detail shows a vertical application

Scale: None

This drawing is furnished for preliminary design purposes only, and should not be used for final design drawings or construction drawings without the certification of a professional engineer registered in the state in which the wall will be constructed

No.	Date.	Revision.	By.

PREPARED BY:



ROCKWOOD
RETAINING WALLS
A better way.

Legend

	Impermeable Compacted Fill		3/4" Crushed Stone
	Compacted Fill		Leveling Pad
	Native Soil		Geogrid

Project Name:	XX	Prepared For:	CCC DDD
Project Location:	YY	Drawn By:	
		Checked By:	
Drawing Description:	Wall Abutment Detail		Sheet # of \$
			Date: MM/DD/YYYY
			Project Number: WWWPRO#