

Block Dimensions

Monument HD®

General Information

Absorption...Meets or exceeds ASTM C90-75 Standards

Compressive strength...3000 PSI approximate minimum (Unless otherwise specified)

Composition . . . High strength, high density, "0" slump concrete

Unit Information

Monument HD unit:

8"H X 24"W X 9"D, 80 lbs. approx. . . . 1.33 sq. ft. face

Monument HD Colonial (24 unit):

8"H X 24"W X 9"D, 80 lbs. approx. . . . 1.33 sq. ft. face

Monument HD Colonial (8/16 unit):

8"H X 8"/16"W X 9"D, 80 lbs. approx. . . . 1.33 sq. ft. face

Universal Cap

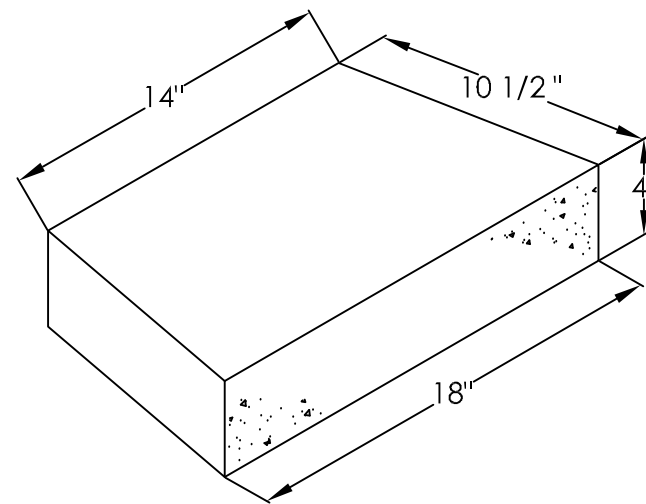
4"H x 18"W front and 4"H X 14"W back, 54 lbs. approx.

0.50 sq. ft. front, 0.39 sq. ft. back

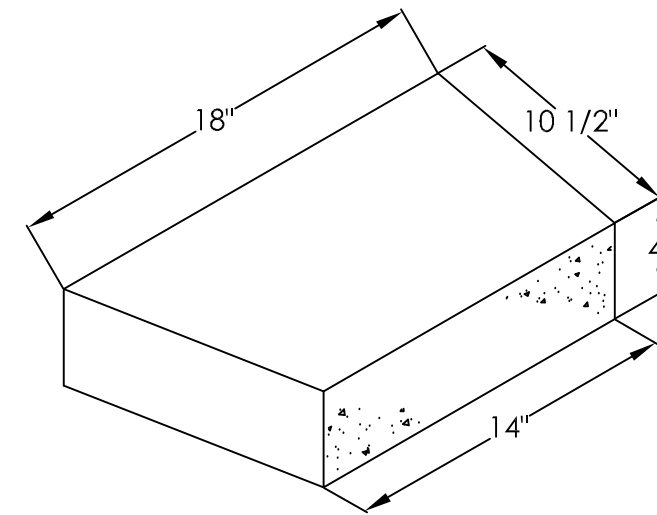
Average running length is 16" (See installation manual)

Face Options

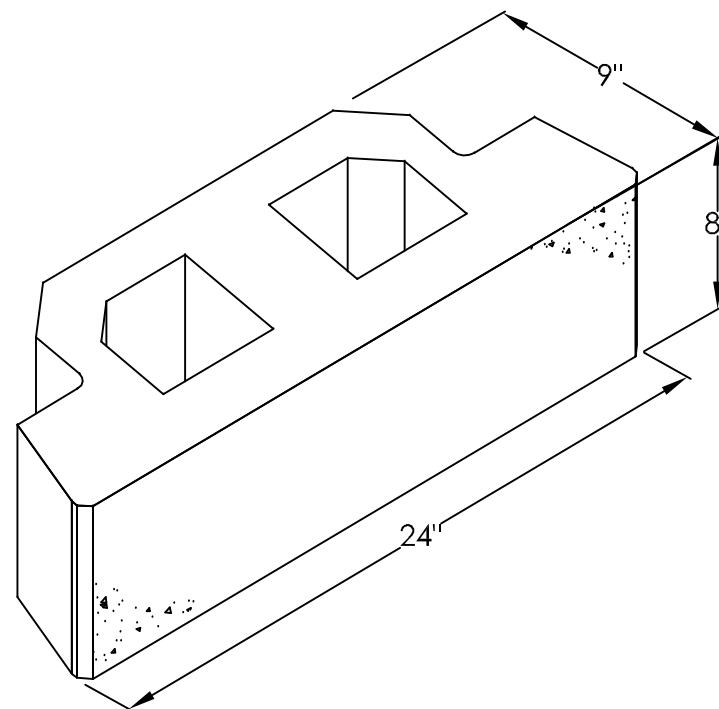
Face patterns Straight split face
Colonial split Face



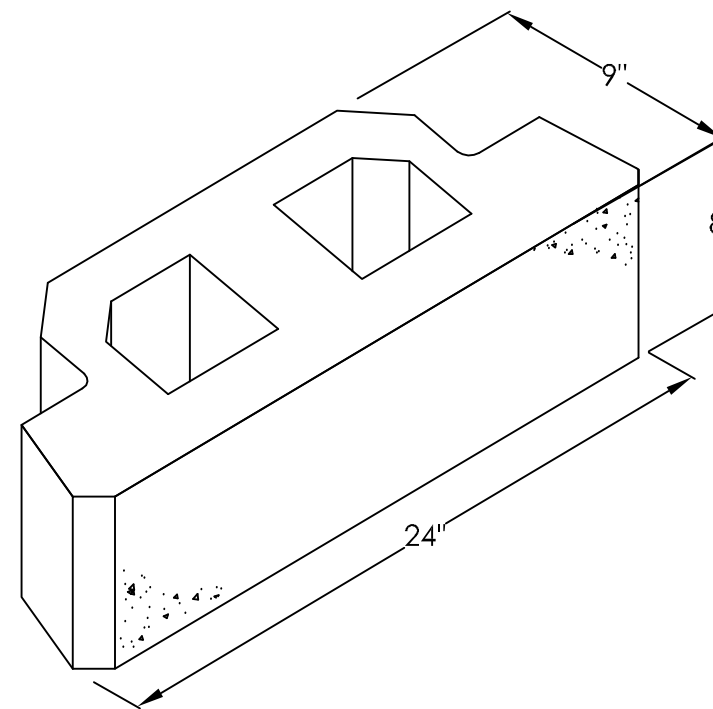
Universal cap - Front



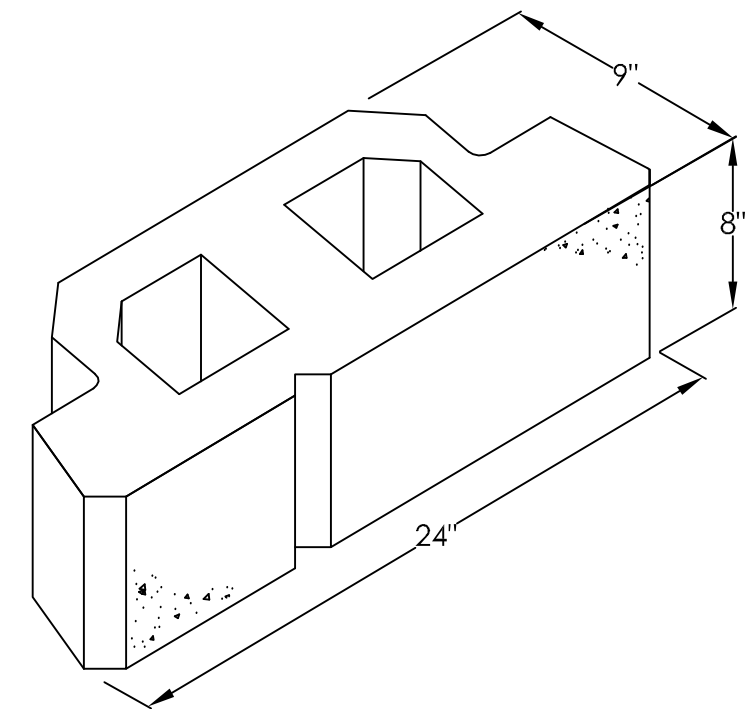
Universal cap - Back



Monument HD (Straight)



Monument HD Colonial
(24 unit)



Monument HD Colonial
(8/16 unit)

This drawing is furnished for preliminary design purposes only, and should not be used for final design drawings or construction drawings without the certification of a professional engineer registered in the state in which the wall will be constructed

No.	Date.	Revision.	By.

Prepared by:



ROCKWOOD
RETAINING WALLS
A better way.

Legend	
	Impermeable compacted fill
	3/4" Crushed stone
	Compacted fill
	Leveling pad
	Native soil
	Geogrid

Project Name:	XX
Project Location:	YY
Drawing Description:	Block Dimensions

Prepared for:	CCC DDD
Drawn by:	
Checked by:	
Sheet # of \$	
Date: MM/DD/YYYY	
Project Number: WWWPRO#	