

Block Dimensions

Stonehedge® 6

General Information

Absorption...meets or exceeds ASTM c90-7.5 standards
 Compressive strength...3000 PSI (approximate minimum (unless otherwise specified))
 Composition . . . light strength, high density, "0" slump concrete

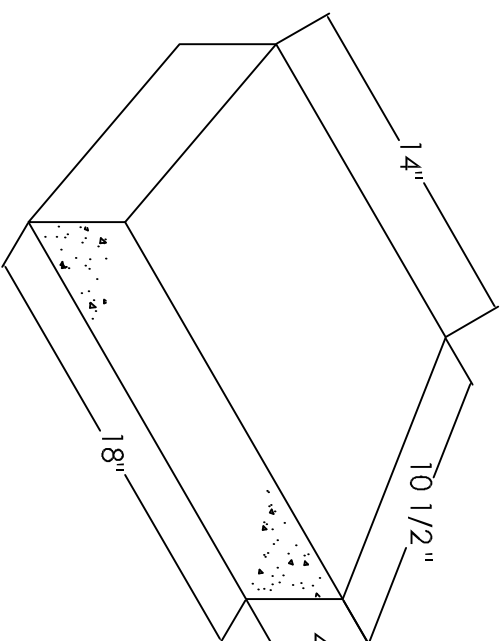
Unit Information

Stonehedge XL Unit:
 6"^H X 18"^W X 10"^D, 64 Lbs. Approx. . . . 0.75 Sq. Ft. Face
 Stonehedge XL Colonial Unit:
 6"^H X 6 1/2"^W and 18"^W X 10"^D, 64 Lbs. Approx. . . . 0.75 Sq. Ft. Face

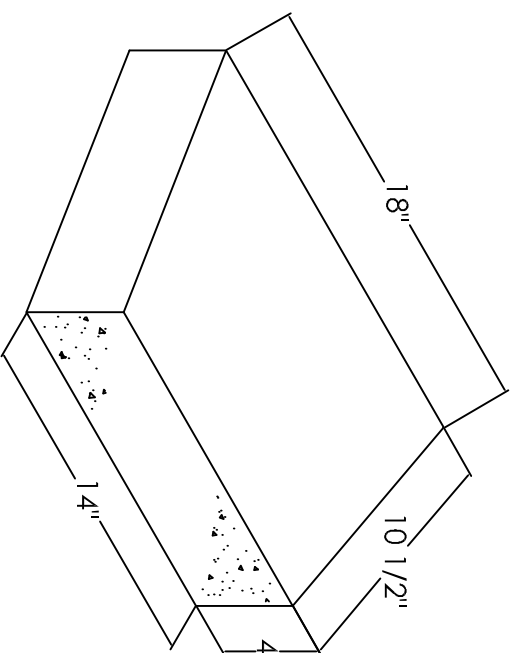
Universal Cap
 4"^H X 18"^W front and 4"^H X 14"^W back, 54 Lbs. approx.
 0.50 Sq. Ft. Front, 0.39 Sq. Ft. Back
 Average running length is 1.6" (see installation manual)

Face Options

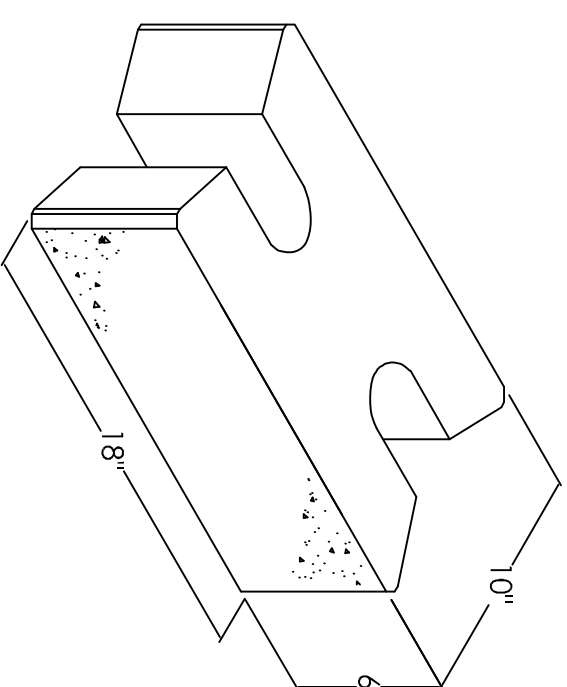
Face patterns Beveled Split Face
 Straight Split Face
 Colonial Split Face



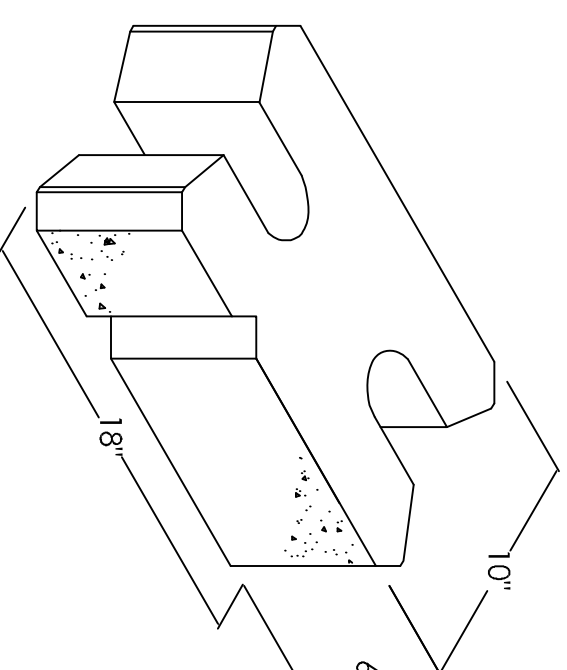
Universal Cap - Front



Universal Cap - Back



Stonehedge® 6



Stonehedge® 6 Colonial

This drawing is furnished for preliminary design purposes only, and should not be used for final design drawings or construction drawings without the certification of a professional engineer registered in the state in which the wall will be constructed

No.	Date.	Revision.	By.

PREPARED BY

ROCKWOOD
RETAINING WALLS
A better way™

LEGEND

	Impervious Compacted Fill		3/4" Crushed Stone
	Native Soil		Levelling Pod
	Geogrid		

Project Name:	XX	Prepared for:	CCC
Project Location:	YY	Drawn by:	DDD
Drawing Description:	Block Dimensions	Checked by:	
		Sheet # of \$	
		Date: MM/DD/YYYY	
		Project Number: WWWPRO#	