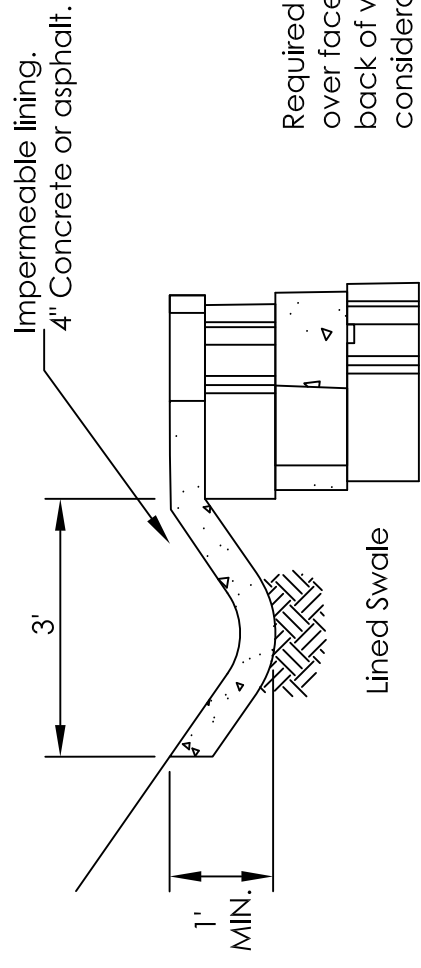
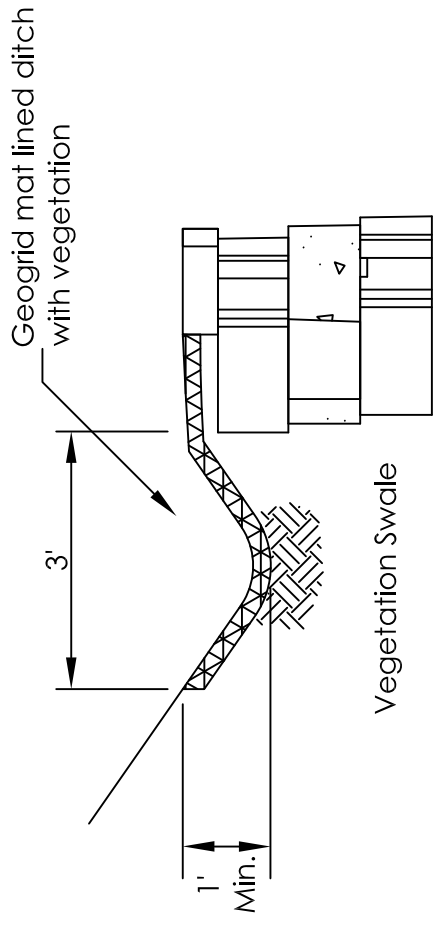


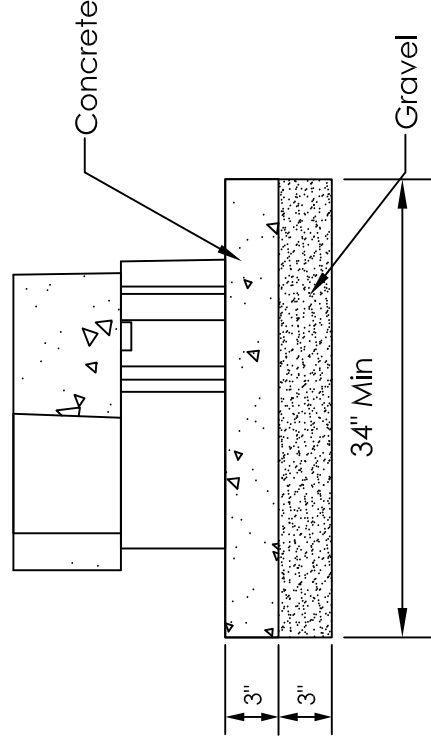
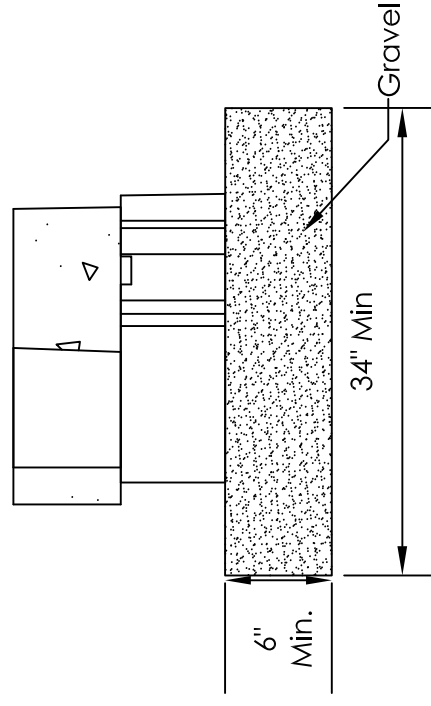
Brow Ditch & Leveling Pad Details

Legend®



Required to divert surface runoff from flowing over face of wall, to divert water away from back of wall area, and for safety considerations.

Drain Ditch Options
Scale: None



Leveling pad options
Scale: None

This drawing is furnished for preliminary design purposes only, and should not be used for final design drawings or construction drawings without the certification of a professional engineer registered in the state in which the wall will be constructed

No.	Date.	Revision.	By.



Legend	
	Crushed Rock
	Compacted Fill
	Native Soil
	Leveling Pad
	Geogrid

Project Name:	XX
Project Location:	YY
Drawing Description: Brow Ditch & Leveling Pad Details	

Prepared For:	CCC
Drawn By:	DDD
Checked By:	
Sheet #	
Of \$	
Date:	MM/DD/YYYY
Project Number:	WWPRO#