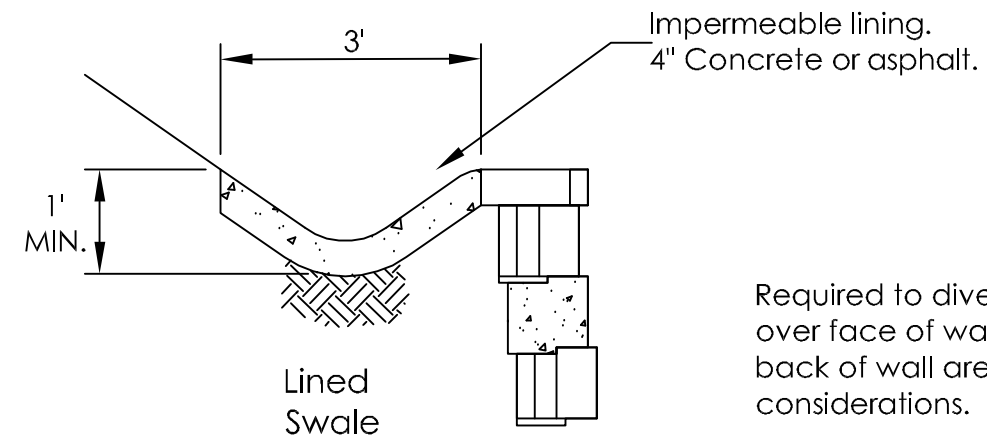
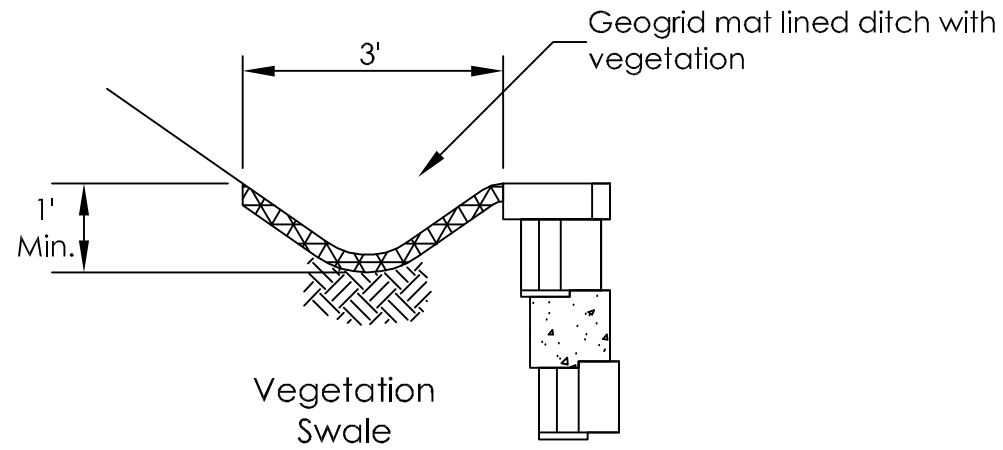


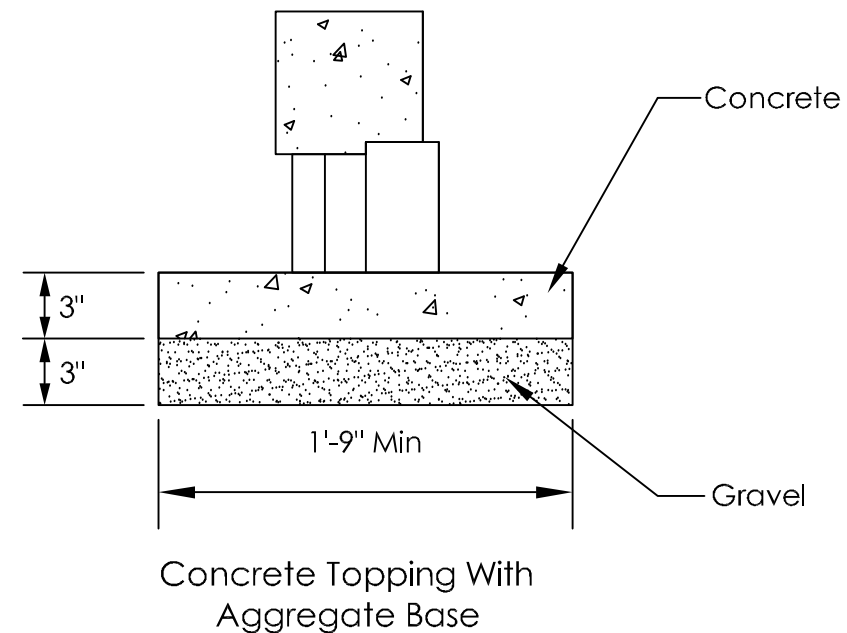
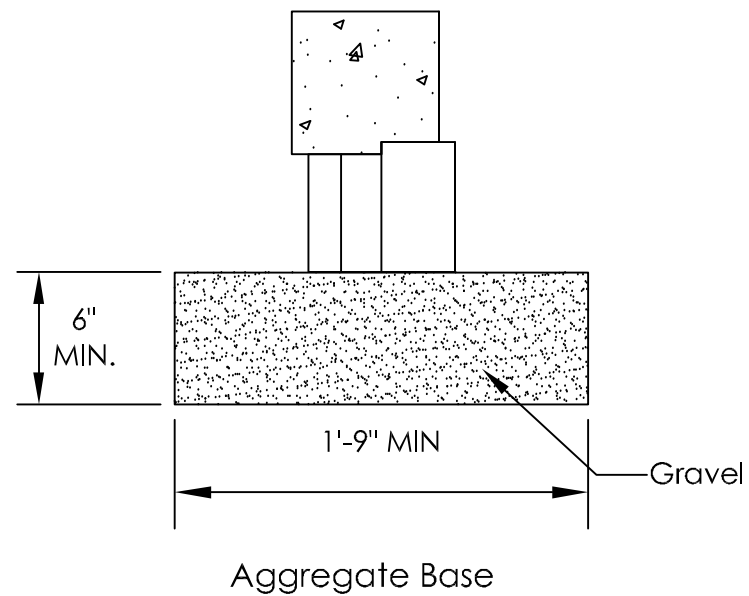
Brow Ditch & Leveling Pad Details

Monument HD®



Required to divert surface runoff from flowing over face of wall, to divert water away from back of wall area, and for safety considerations.

Drain Ditch Options
Scale: None

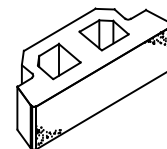


Leveling Pad Options
Scale: None

This drawing is furnished for preliminary design purposes only, and should not be used for final design drawings or construction drawings without the certification of a professional engineer registered in the state in which the wall will be constructed

No.	Date.	Revision.	By.

Prepared by:



ROCKWOOD
RETAINING WALLS
A better way™

Legend

	Impermeable compacted fill		3/4" Crushed stone
	Compacted fill		Leveling pad
	Native soil		Geogrid

Project Name:	XX
Project Location:	YY
Drawing Description:	Brow Ditch & Leveling Pad Details

Prepared for:	CCC DDD
Drawn by:	
Checked by:	
Sheet # of \$	
Date: MM/DD/YYYY	
Project Number: WWWPRO#	