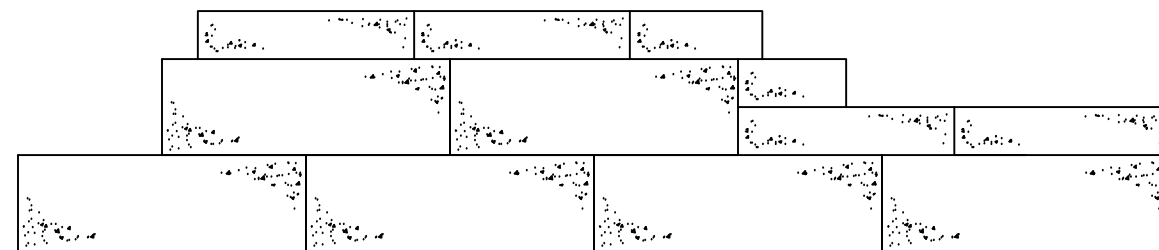
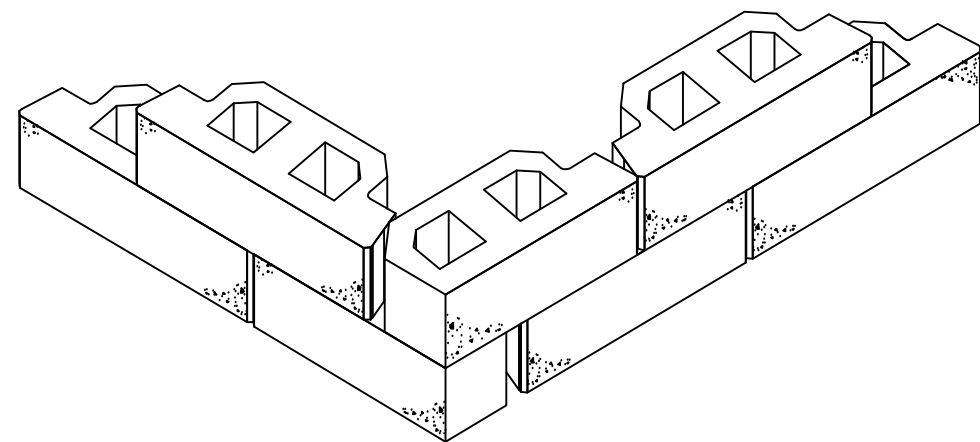
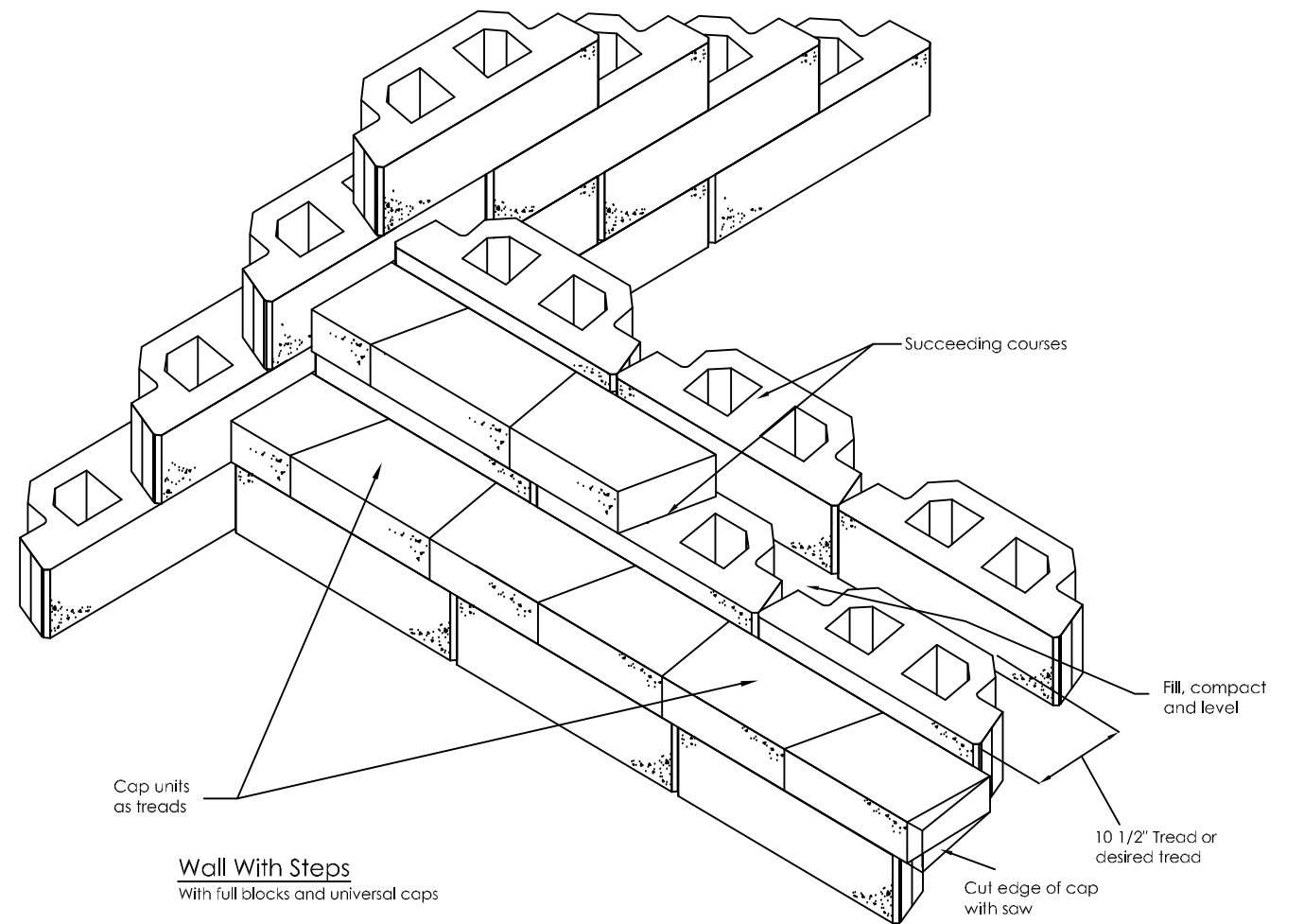
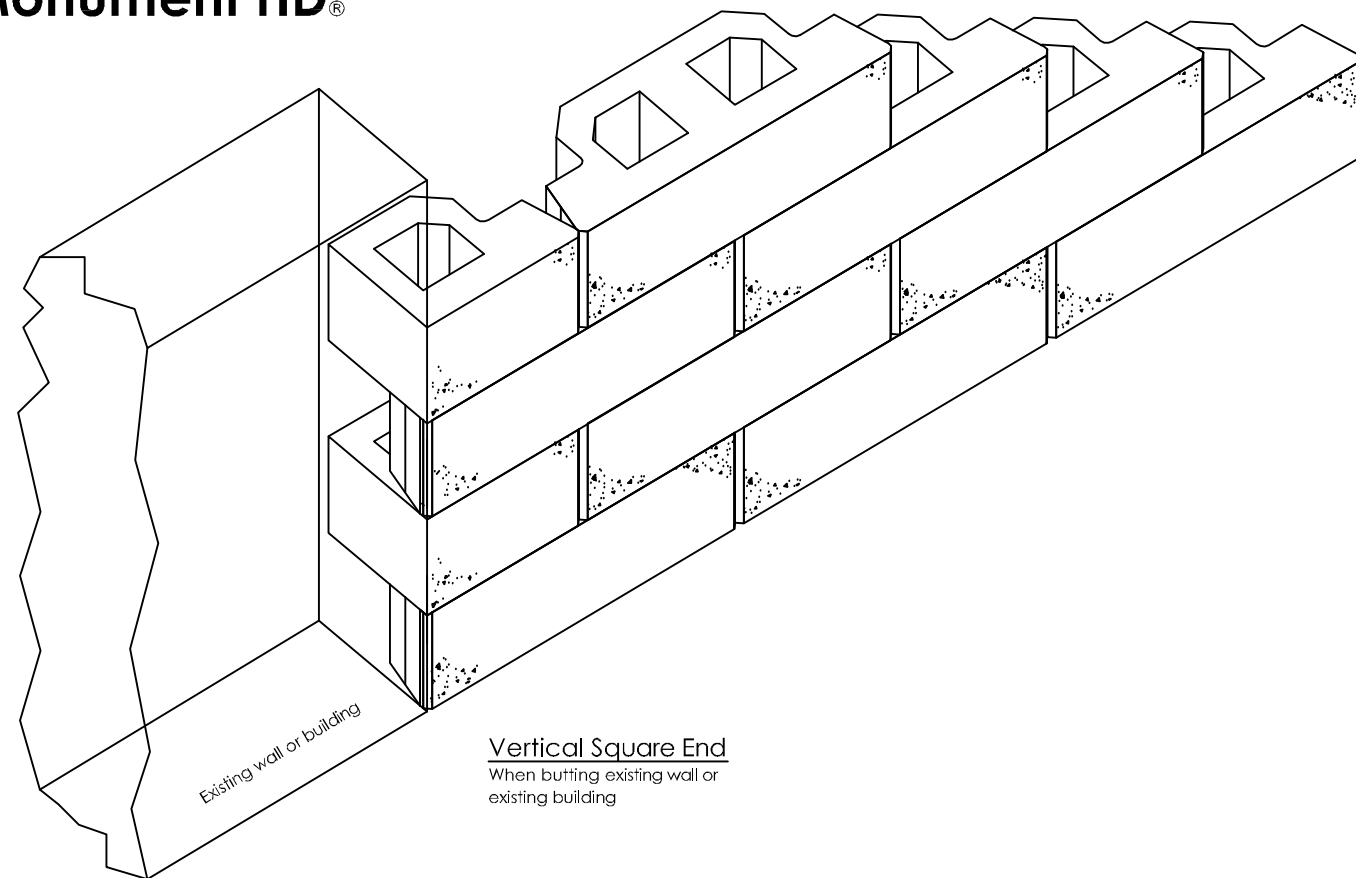


Steps and Corners

Monument HD®



THIS DRAWING IS FURNISHED FOR PRELIMINARY DESIGN PURPOSES ONLY, AND SHOULD NOT BE USED FOR FINAL DESIGN DRAWINGS OR CONSTRUCTION DRAWINGS WITHOUT THE CERTIFICATION OF A PROFESSIONAL ENGINEER REGISTERED IN THE STATE IN WHICH THE WALL WILL BE CONSTRUCTED

NO.	DATE.	REVISION.	BY.

PREPARED BY:

ROCKWOOD
RETAINING WALLS
A better way™

LEGEND

	IMPERMEABLE COMPACTED FILL		3/4" CURSHED STONE
	COMPACTED FILL		LEVELING PAD
	NATIVE SOIL		GEOGRID

PROJECT NAME:	XX
PROJECT LOCATION:	YY
DRAWING DESCRIPTION:	STEPS AND CORNERS

PREPARED FOR:	CCC
	DDD
DRAWN BY:	CHECKED BY:
SHEET #	OF \$
DATE:	MM/DD/YYYY
FILE/DWG CODE:	WWWPRO#