

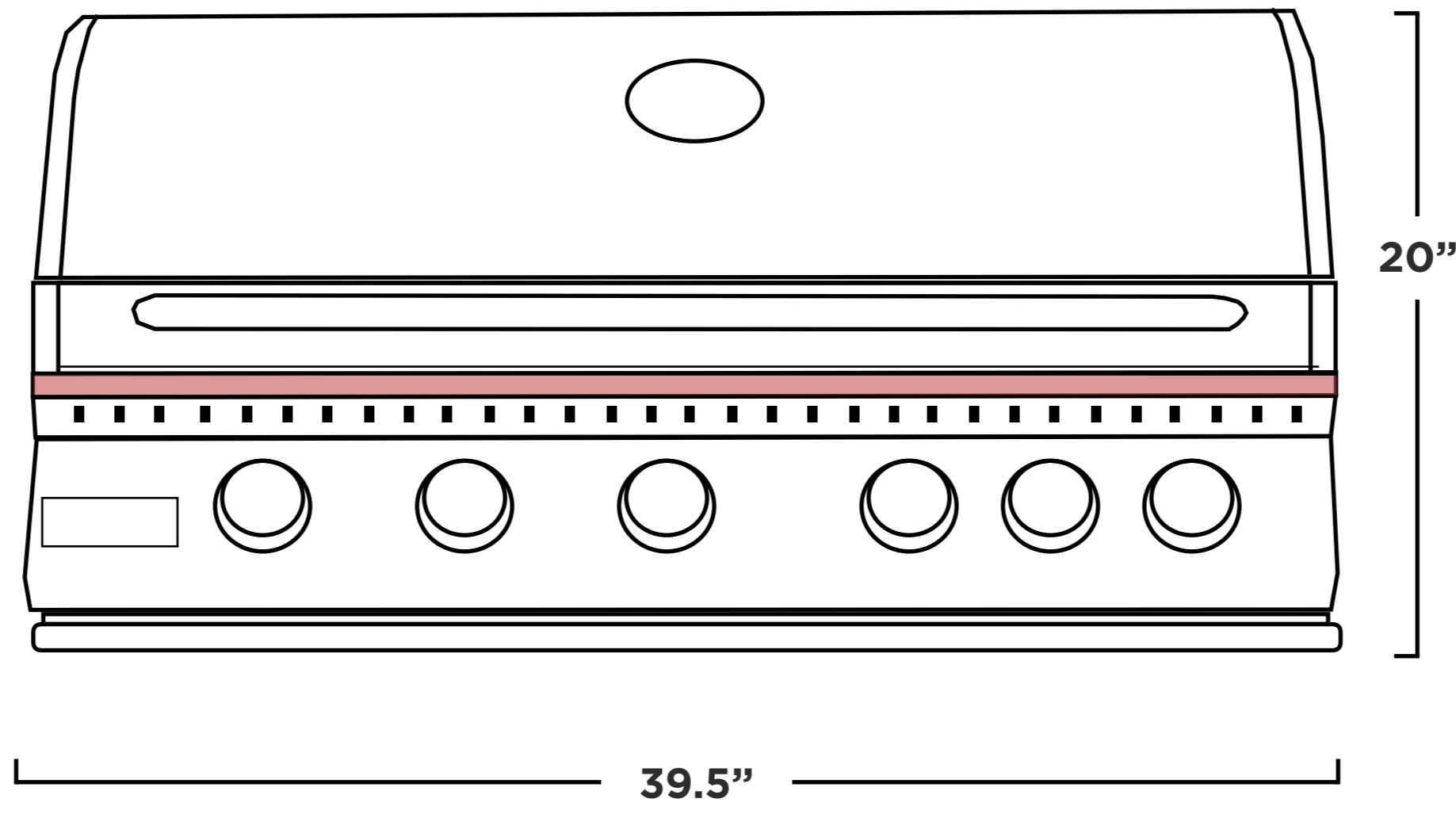


**SUMMERSET**  
PROFESSIONAL GRILLS

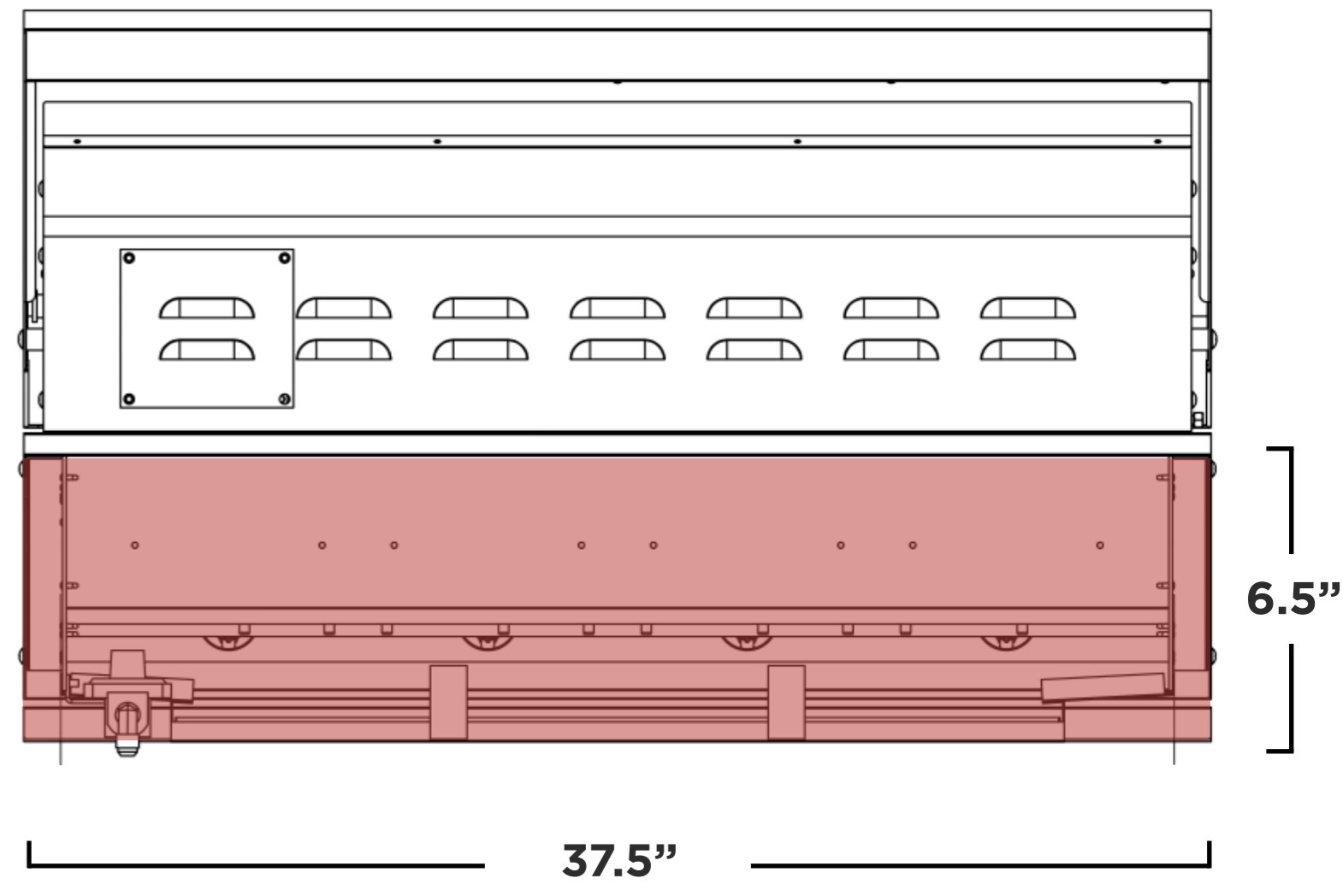
### 40" Sizzler

<b>Model</b>	SIZ40
<b>Cutout Dimensions**</b>	38"W x 8.5"H x 20.75"D
<b>Actual Dimensions</b>	39.5"W x 20"H x 25.5"D
<b>Material</b>	#443 Stainless Steel
<b>Burner Count</b>	5 Main Burner
<b>Total BTU</b>	75,000 BTU
<b>Total Cooking Surface</b>	985 sq. in.
<b>Electical Supply</b>	N/A
<b>Gas Inlet NG</b>	3/8" NPT Female Regulator
<b>Gas Inlet LP</b>	3/8" NPT Male Fitting
<b>Power Cord Length</b>	N/A

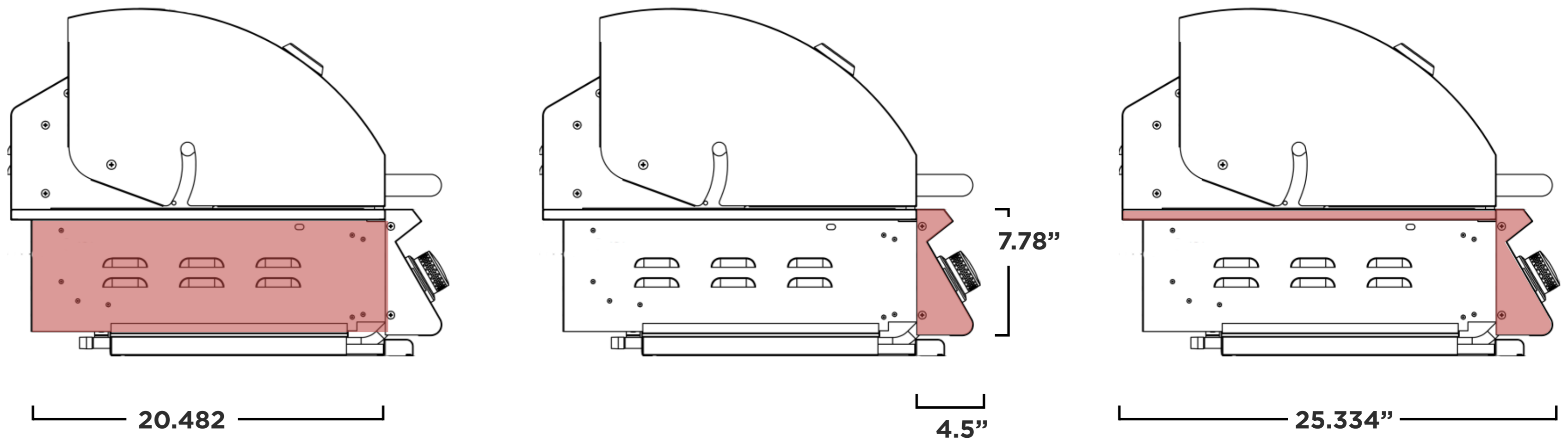
**Front**



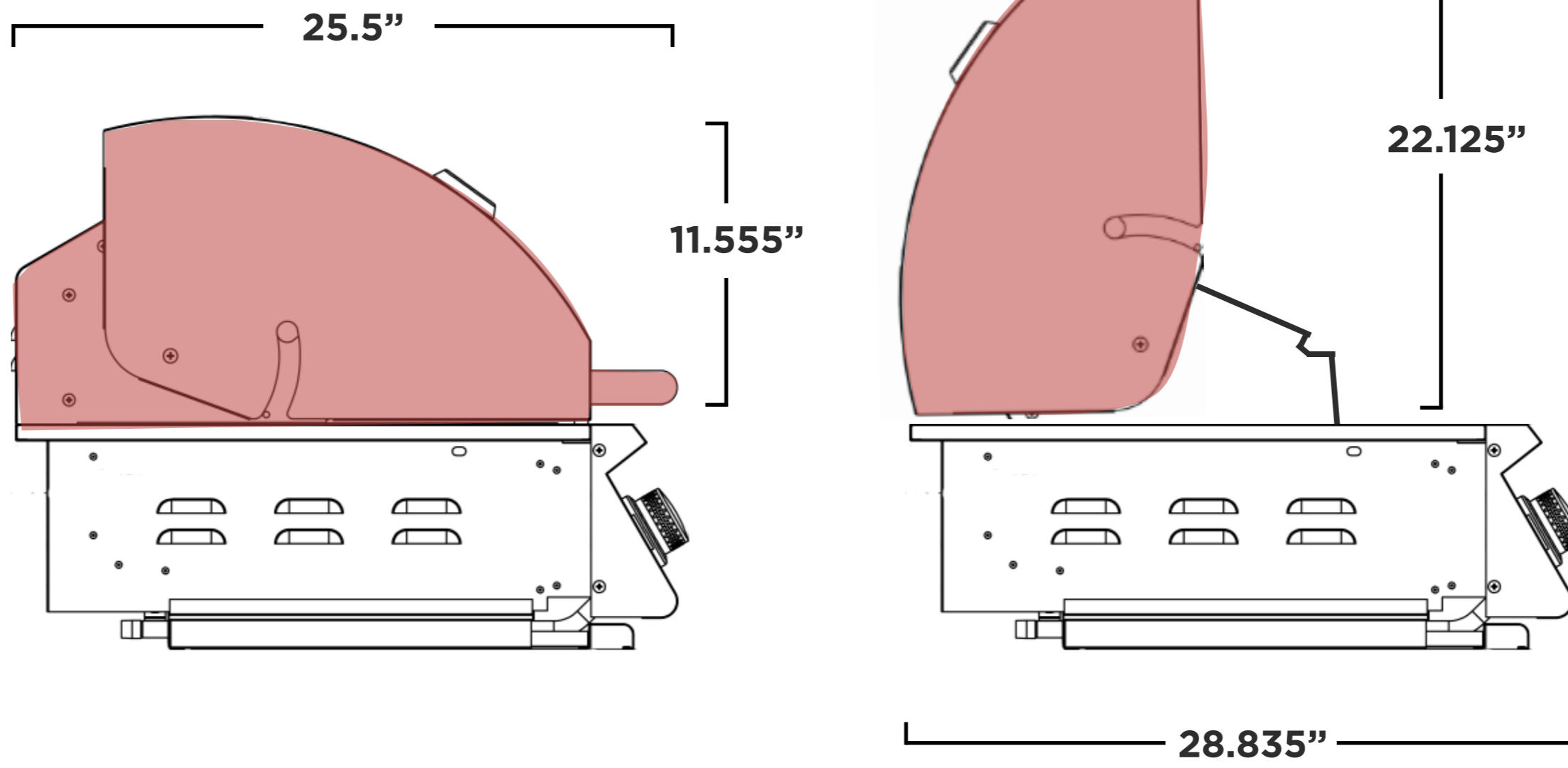
**Rear**



**Side**

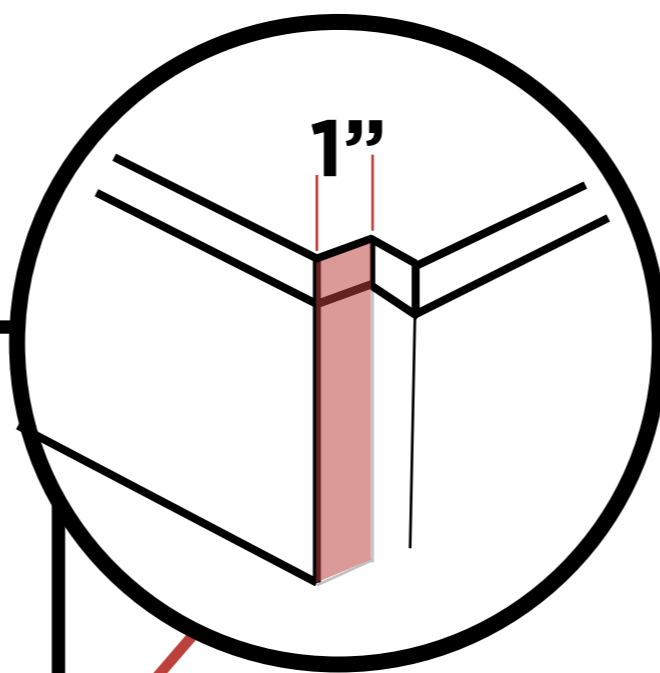
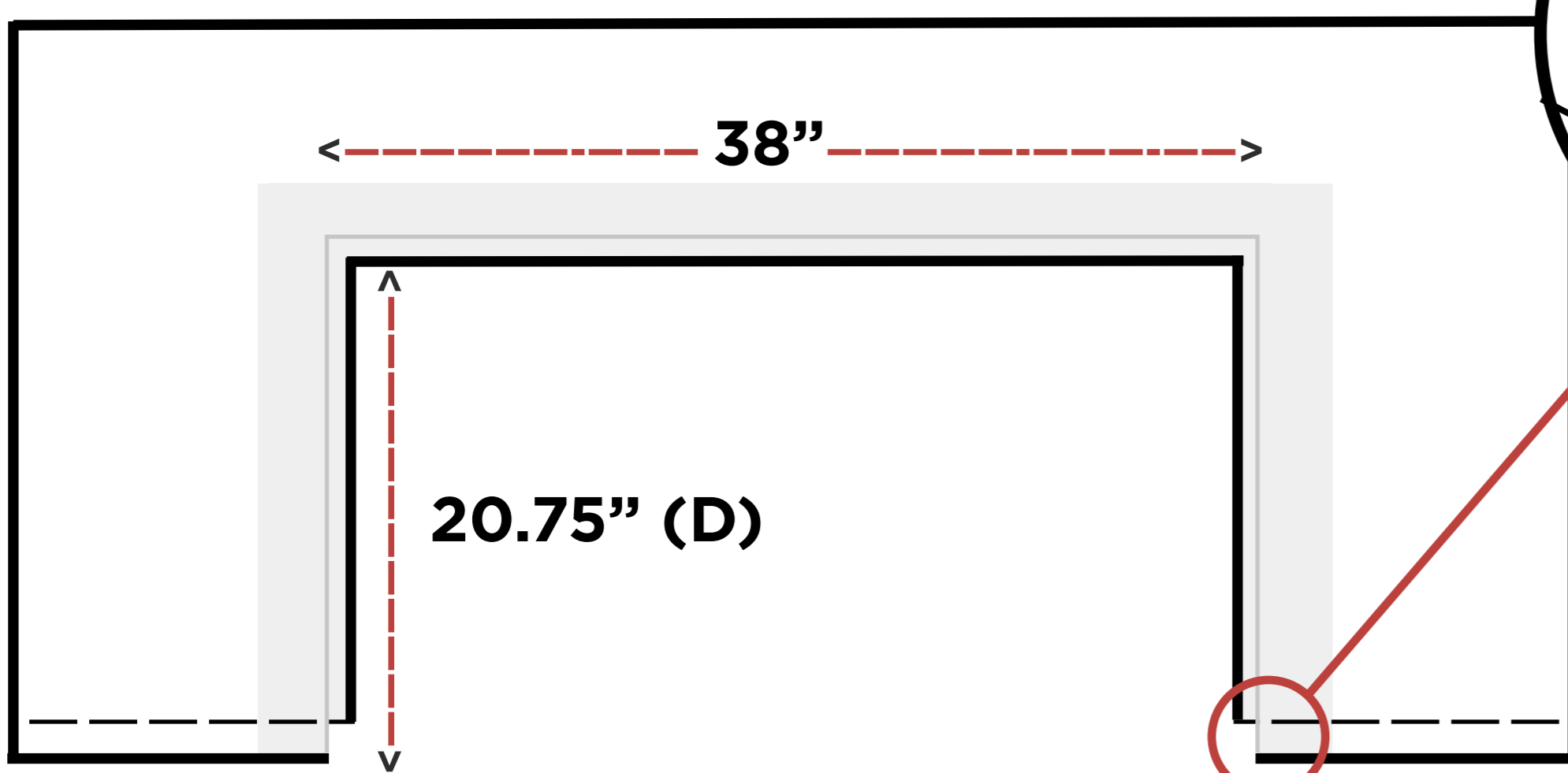


**NOTES**



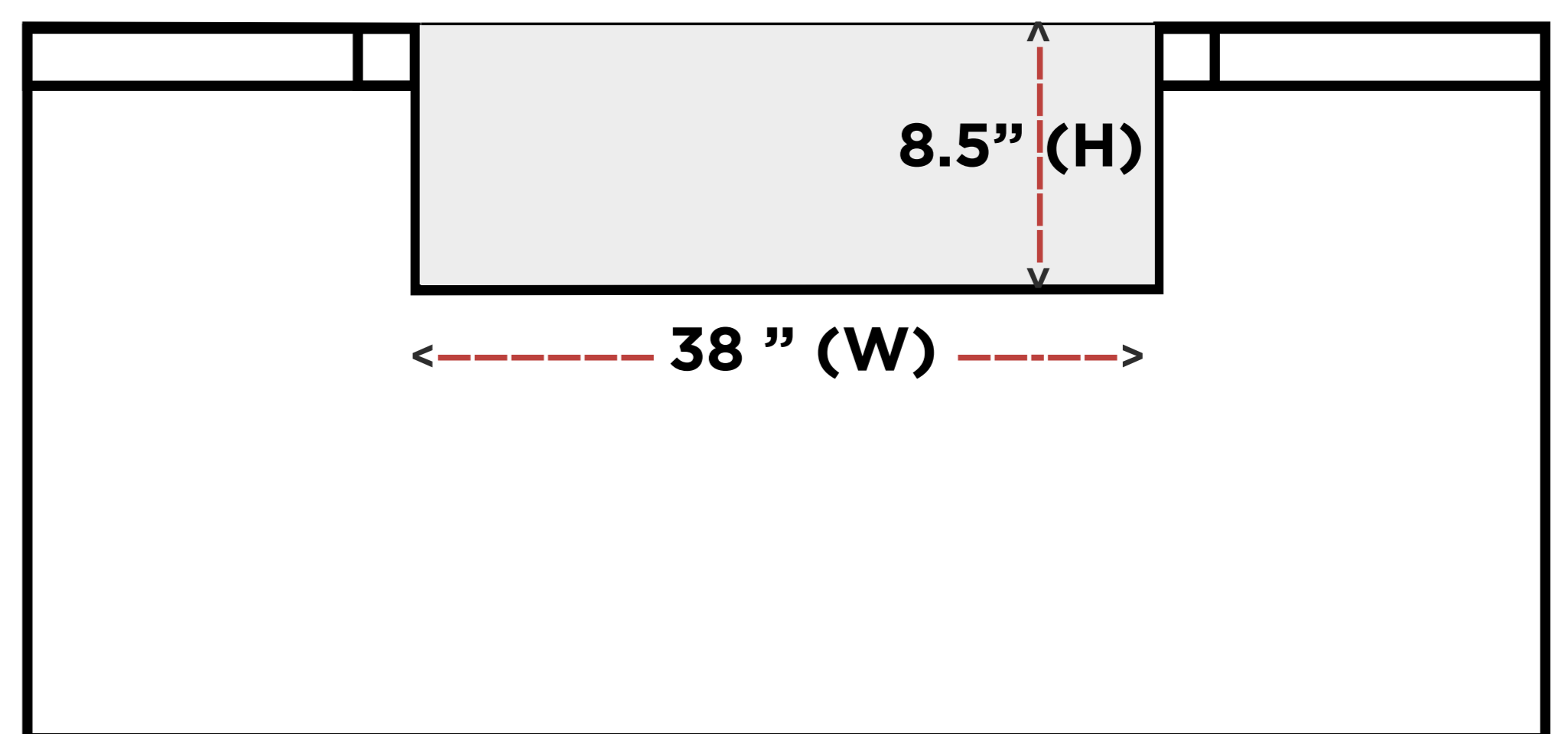
Cutout Dimensions \*\*  
38"W x 8.5"H x 20.75"D

**Island Top View**



Countertop Notch  
Cutout Dimension

**Island Front View**



Manufacturer Suggested Cutout Dimensions (\*\*)