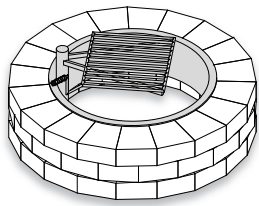


fire rings/pits and accessories

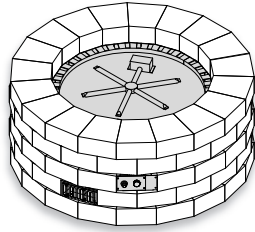


No cutting, no guessing, no hassles – no problem®
necessaries
kits for outdoor living

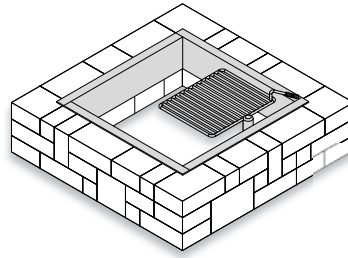
ROCKWOOD
RETAINING WALLS
A better way.



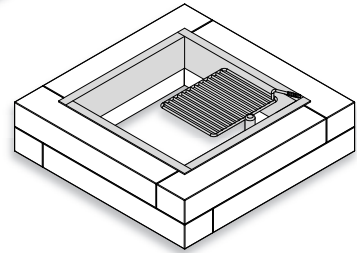
Grand Fire Ring



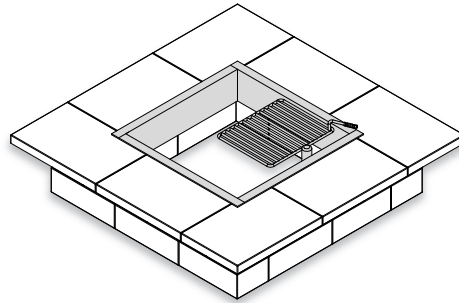
Grand Gas Fire Ring



Victorian Fire Pit



Barn Plank Garden Wall Fire Pit



Travertine Garden Wall Fire Pit

Build time for fire ring kits is approximately 30 minutes.

Grand Fire Ring Kit Features

- One-piece, heavy gauge, solid steel insert protects block (30.5" interior dia. x 8" H, 1.5" flang)
- Optional **Fire Ring Block Layer** – add layers to increase height
- Optional **Fire Ring Cap** – chiseled edge, eight-piece, in three colors, 2.25" H
- Optional **Swivel Cooking Grate** – removable, heavy steel construction, ADA compliant
- Optional **E-Z Access Spark Screen** – keep ash and sparks inside and debris out
- Optional **Steel Cover** – heavy galvanized steel with or without cooking grate slot

Grand Gas Fire Ring Kit

- Push-button electronic ignition
- 65,000 max Btu/hr, natural gas or LP
- Thermo-couple auto shut-off safety feature
- #304 stainless steel construction
- All connections and fittings preassembled
- 50 lbs. lava rock
- Optional **Fire Ring Cap** – chiseled edge, eight-piece, in three colors, 2.25" H
- Optional **Ceramic Log Set**



Victorian, Barn Plank & Travertine Garden Wall Fire Pit Kits

- Four-piece, heavy gauge, solid steel insert protects block
- Optional **Swivel Cooking Grate** – removable, heavy steel construction, ADA compliant

Fire Ring/Pit	Size	Pallets	Weight	Details
Barn Plank Wall Fire Pit Kit*	48 x 48 x 12" H	1	1,255 lbs.	With protective steel insert
Grand Fire Ring Kit	48 dia. x 12" H	1	1,019 lbs.	With protective steel insert
Grand Gas Fire Ring Kit	48 dia. x 20" H	1	1,710 lbs.	Natural Gas
Travertine Wall Fire Pit Kit**	64 x 64 x 13.875" H	1	1,900 lbs.	With protective steel insert
Victorian Fire Pit Kit	48 x 48 x 12" H	1	1,285 lbs.	With protective steel insert

* Weathered Gray and Mahogany colors. **Two block courses with eight 12 x 24 travertine tiles (cap), Ivory color only.

Accessories (optional)	Size	Weight	Details
Grand Fire Ring - Block (one layer)	48 x 4" H	346 lbs.	Add 4" height (19 fire ring block)
Grand Fire Ring - Steel Ring Insert	33.5 x 33.5 x 8.5" H	34 lbs.	Solid 10-gauge steel with 1" top lip
Grand Fire Ring - Swivel Cooking Grate	19.25 x 17.5 x 2" H	29 lbs.	300 sq. in. ADA approved, anti-theft feature, removable
Grand Fire Ring - E-Z Access Spark Screen	40 dia. x 18" H	22 lbs.	Hinged for easy access
Grand & Grand Gas Fire Ring - Steel Cover	37.9 dia. x 2.88" H	29 lbs.	Heavy galvanized steel, with or without slot for cooking grate
Grand & Grand Gas Fire Ring - Chiseled Cap	10 W x 2.25" H	298 lbs.	Buff, Bluestone or Indiana Limestone colors
Grand Gas Fire Ring - LP Gas Conversion Kit	-	-	O-Ring conversion to LP
Grand Gas Fire Ring - Ceramic Gas Log Set	16" H	36 lbs.	9 pc. 16" height of log stack
Victorian Fire Pit - Steel Insert	33.5 x 33.5 x 8.5" H	34 lbs.	Four-piece, 10-gauge steel with 1" top lip
Victorian Fire Pit - Swivel Cooking Grate	19.25 x 17.5 x 2" H	29 lbs.	300 sq. in. ADA approved, anti-theft feature, removable

Block colors vary by manufacturer, choose color from actual samples. Necessaries kits are not designed for commercial installations and applications. Travertine and Barn Plank Garden Wall Fire pit kits not available in all areas. Necessaries kits cannot be returned.

Manufactured under license by:

Rockwood Retaining Walls, Inc.

325 Alliance Place NE, Rochester, MN 55906
 Phone: 507-529-2871 • www.outdoorlivingkits.com



©2019 Rockwood Retaining Walls, Inc. Made worldwide under license from Rockwood Retaining Walls, Inc. U.S. and international patents issued and pending. This information has been prepared for the benefit of customers interested in Rockwood Retaining Wall products. It was reviewed carefully prior to publication. Rockwood assumes no liability for its accuracy or completeness. Final determination of the suitability of any information or material for the use contemplated, or for its manner of use, is the sole responsibility of the user. Rockwood Retaining Walls reserves the right to change product specifications at any time without incurring obligations. 0519

