

# Optional Fire Ring Accessories

Please note: Accessories may not be available from your Necessary providers.

## Optional E-Z Access Spark Screen

- Black, powder-coated steel
- Keep ash and sparks inside
- Hinged for easy access



## Optional Cover

- Keep ashes in and debris out
- Heavy galvanized steel
- With or without cooking grate slot



Not for use in snuffing out fire.

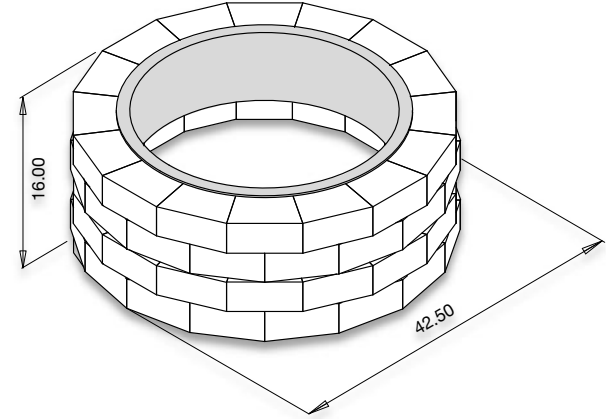
## Optional Swivel Cooking Grate

- Heavy, welded steel construction
- Removable
- ADA compliant



# Assembly Instructions Split-Face Fire Ring

Leave these instructions with property owner.



Read and understand these instructions before you begin. **WARNING!** This kit not designed for commercial installations and applications.



**DISCLAIMER – WHAT THIS LIMITED WARRANTY DOES NOT COVER**  
 Rockwood is not responsible for or makes no warranty as to:

1. Product failure, loss or damage due to:
  - Normal wear and tear;
  - Damage due to improper handling and repeated or extended contact with chemicals, such as deicers;
  - Products improperly installed or maintained;
  - Acts of God;
  - Structural settlement, movement or vibration;
  - Products that have not been paid for in full.
2. Minor imperfections
  - Minor imperfections that do not affect the product's structural integrity;
  - Variations in product texture or color.
- Minor imperfections in shape, appearance, or dimensions covered by ASTM C1372.

**CONDITIONS OF WARRANTY – WHAT YOU MUST DO TO RECOVER UNDER THIS LIMITED WARRANTY**

U.S. Copyright Law allows for the recovery of statutory damages as well as attorneys fees. Damages for willful infringement can be as high as \$150,000. Further, it is not uncommon for attorneys fees to exceed the amount of damages awarded.

Prompt Notice of Defect:

Within the warranty period, you must promptly, and in no case more than sixty (60) days after any defect of other basis of a claim covered by this Limited Warranty is discovered or should have been discovered, notify Rockwood of the defect.

**LIMITED WARRANTY CLAIM PROCEDURE**

Claims under this Limited Warranty may be made in writing to Rockwood at 325 Alliance Place N.E., Rochester, MN, 55906. Claims should include the following information:

1. Claimant's name, address, and phone number
2. A description of the product, purchase price, and the installation address (if different);
3. A description of the defect(s) (photos are required); and
4. A brief summary of attempts made to address the concern.

**NO STATEMENT OF USEFUL LIFE**

This Limited Warranty is not a statement of the useful life of any Rockwood products.

©2021 Rockwood Retaining Walls, Inc. All Rights Reserved. Made worldwide under license from Rockwood Retaining Walls, Inc. US and international patents issued and pending. This information has been prepared for the benefit of customers interested in Rockwood Retaining Wall products. It was reviewed carefully prior to publication. Rockwood assumes no liability for its accuracy or completeness. Final determination of the suitability of any information or material for the use contemplated, or for its manner of use, is the sole responsibility of the user. 1021

**ROCKWOOD** RETAINING WALLS  
 A better way.  
 necessities kits for outdoor living

MADE IN USA

www.outdoorlivingkits.com  
 phone: 507.529.2871  
 fax: 507.529.2879

**COMPONENTS OF YOUR NECESSORIES KIT**  
 Your necessities kit consists of a number of superior-quality components from a number of our trusted partners and other quality manufacturers. Depending upon your particular necessities kit, these separately warranted components may include: (1) pre-cut block, (2) pavers, bricks and edgers, (3) manholes, tops and caps, (4) steel wood-burning inserts, chimneys and access doors, (5) grills, (6) water pumps, (7) steel spillways, (8) steel rings, cooking grates, spark screens and ring caps, (9) light kits, gas log sets, grill covers, cooking grates, and (10) glass kits and glass block. To the extent these fine components are covered by separate manufacturer warranties and we are able to transfer the applicable warranties to you, we do so by way of this Limited Warranty. However, some of the warranties applicable to the components of your kit may not be transferable, and, in which case, if we can make the claim on your behalf, we will do so if you follow the claim procedures set forth in this Limited Warranty. The extent of our obligation under this paragraph, however, is to make the warranty claim on your behalf to the extent that we can. It is up to the component manufacturer to respond under its warranty.

**LIMITATION OF LIABILITY**

This limited warranty sets forth the maximum liability for sale, distribution or use of your necessities kit. IN NO EVENT (INCLUDING NEGLIGENCE, DISTRIBUTION OR USE OF YOUR PRODUCTS) SHALL ROCKWOOD OR ANY OF ITS DISTRIBUTORS BE LIABLE FOR ANY INCIDENTAL, CONSEQUENTIAL, OR SPECIAL DAMAGES RESULTING FROM THE SALE, INSTALLATION OR USE OF YOUR NECESSORIES KIT. Some states do not allow the exclusion or limitation of incidental or consequential damages for consumers, so the above limitation or exclusion may not apply to you.

**LIMITATION OF WARRANTY**

ROCKWOOD MAKES NO OTHER WARRANTIES, EXPRESS OR IMPLIED, INCLUDING ANY IMPLIED WARRANTIES FOR MERCHANTABILITY, FITNESS FOR A PARTICULAR PURPOSE, OR OTHERWISE.

**LIMITED WARRANTY FOR NECESSORIES KITS**

If you purchased a Necessories kit and installed it in the United States, Rockwood warrants your Necessories kit is free from defects in materials for a period of one year from the date we shipped the kit to the original purchaser. If Rockwood is given Prompt Notice, as defined in this Limited Warranty, it will replace the defective component at no cost to you. Replacement will consist of shipping the replacement component to your home or business. You are responsible for installing the replacement component. Kit materials. In some cases we may not be able to offer an identical replacement component. In these cases, we will supply a component of similar design and function. Natural components such as stone, block or brick may vary in color and texture and we cannot guarantee the replacement will match the color and texture of your original component.

**CONGRATULATIONS ON CHOOSING A "NECESSORIES KIT." THESE SUPERIOR-QUALITY OUTDOOR LIVING KITS HAVE BEEN DESIGNED TO GIVE YOU YEARS OF ENJOYMENT AND COMFORT.**

**IMPORTANT NOTICE:** Read this entire Rockwood Retaining Walls, Inc. ("Rockwood") Limited Warranty and Limitation of Liability ("Limited Warranty"). While your Necessories kit has been designed for ease of installation, it is important that it be properly installed and maintained in order for it to function successfully throughout the duration of this Limited Warranty. Your Necessories kit comes packaged with assembly instructions. If you cannot locate the instructions, please contact us for another copy. It is also important for you or your installer to carefully review all pertinent technical information, as it is your responsibility or that of your installer or designer to provide any appropriate soil testing or soil preparation to insure a safe and functional application. Please visit [www.rockwoodwalls.com](http://www.rockwoodwalls.com) for pertinent product information and installation guides.

**LIMITED WARRANTY FOR NECESSORIES KITS**

If you purchased a Necessories kit and installed it in the United States, Rockwood warrants your Necessories kit is free from defects in materials for a period of one year from the date we shipped the kit to the original purchaser. If Rockwood is given Prompt Notice, as defined in this Limited Warranty, it will replace the defective component at no cost to you. Replacement will consist of shipping the replacement component to your home or business. You are responsible for installing the replacement component. Kit materials. In some cases we may not be able to offer an identical replacement component. In these cases, we will supply a component of similar design and function. Natural components such as stone, block or brick may vary in color and texture and we cannot guarantee the replacement will match the color and texture of your original component.

**WARNING:** This product can expose you to chemicals including carbon monoxide, which is a combustion byproduct known to the State of California to cause birth defects or other reproductive harm. For more information go to [www.P65Warnings.ca.gov](http://www.P65Warnings.ca.gov).

**WARNING:** Failure to follow all steps of the installation instructions may result in property damage or bodily injury. Rockwood Retaining Walls, Inc. is not liable for any property damage or bodily injury caused by failure to follow the installation instructions or improper use of the product. This kit not designed for commercial installations and applications.

## Split-Face Fire Ring Kit Contents

Item	Description	Quantity
Fire Ring Block	4" H x 8.5/6.3" W x 5.5" D	64
Steel Ring	Protective Insert	1
Adhesive	29 oz. Tubes	1

Please note: Use 16 fire ring blocks per course.

## Getting Started

**Zoning and Permits:** Before you plan your project, learn about the necessary zoning requirements and rules for excavating and building restrictions in your area. No matter how small your project, be sure you obtain the necessary permits before you start construction.

**Know What's Below:** Whether you are planning to do it yourself or hire a professional, smart digging means calling 811 before each job. Homeowners often make risky assumptions about whether or not they should get their utility lines marked, but every digging job requires a call – even small projects like planting trees and shrubs.

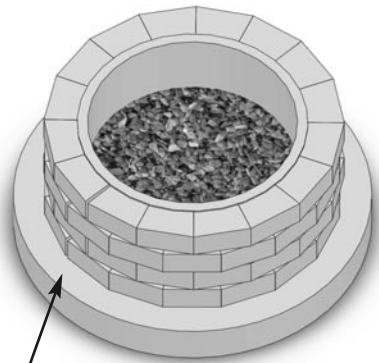


**Base Preparation:** Fire rings can be built on an existing concrete slab or paver base without additional preparation.

Drainage considerations should be addressed when building on top of a slab or paver surface

**To build in the ground, follow these steps:**

- 1) Mark a 52" dia. circle and remove all earthen material to a depth of approximately 3". Be sure excavated circle is level.
- 2) Add 1.5" to 2" inches of compactible gravel, level it evenly. Compact the gravel with a hand tamper until it is firmly and uniformly compacted and level.
- 3) Use a thin layer of sand if needed to adjust for level.



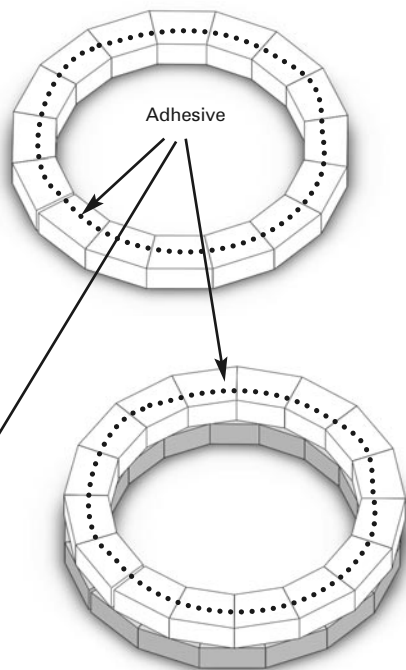
To build in the ground, you must prepare a compacted gravel base.

## Step 1

Read and understand these instruction thoroughly before you begin. Be sure your properly prepared base is level. Begin building by laying your base course as shown. Using a stiff brush, remove all debris and dust from each block surface to be glued. Butt blocks tightly together. Use only 16 blocks per course.

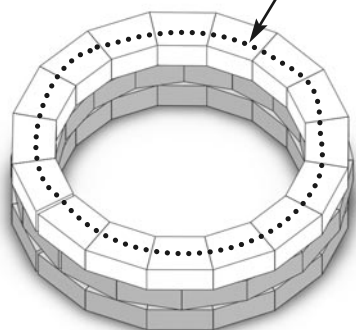
## Steps 2 and 3

Continue to build each staggered course as shown. For permanent installations, use a small amount of adhesive on each block.



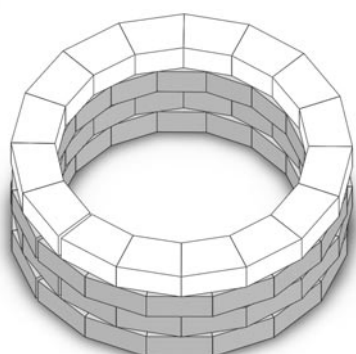
**IMPORTANT:** Lay adhesive bead away from outside perimeter to prevent adhesive from squeezing out between courses.

Use adhesive on each course. Brush excessive dust and debris from blocks to be glued.



## Step 4

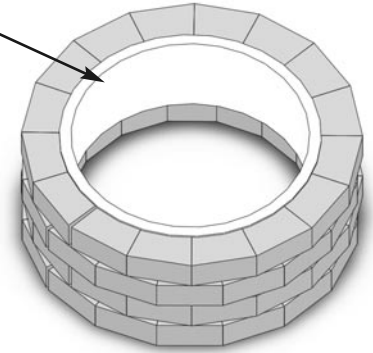
Install your fourth/final course. Proceed to step 5 before adhesive has set.



## Step 5

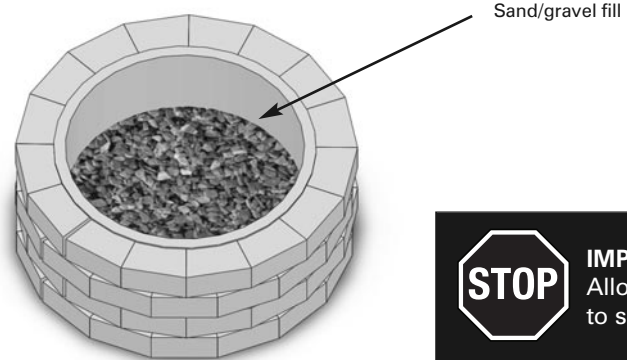
Position the steel ring insert and center. Use a rubber mallet to tap blocks towards center for proper alignment.

**Do NOT use adhesive on metal ring.**



## Final Step

**IMPORTANT:** To protect blocks from extreme heat, carefully fill interior of Fire Ring with enough gravel/sand to bury a minimum of 1" of the steel insert.



**IMPORTANT:** Allow 72 hrs. for adhesive to set before use.



**WARNING:** Never expose concrete directly to fire. Extreme temperatures may cause concrete to explode, resulting in property damage or bodily injury. Add enough sand and gravel fill to bury block and 1" of the steel ring insert.

Note: All warranty claims must be made online at: [www.outdoorlivingkits.com/warranty.htm](http://www.outdoorlivingkits.com/warranty.htm)

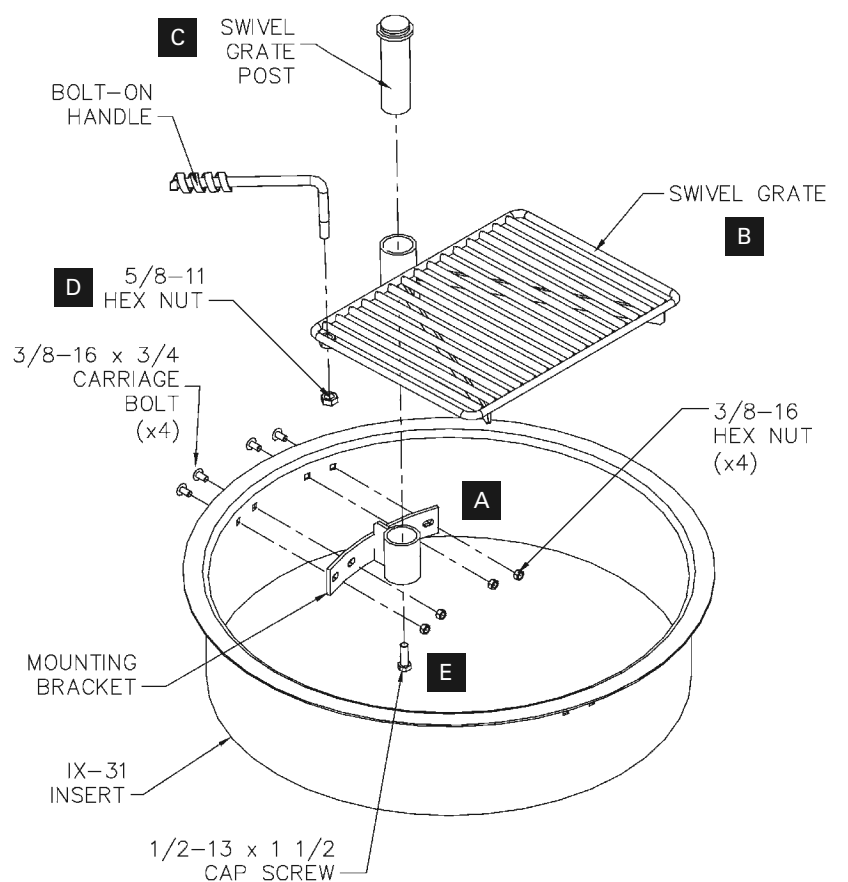
**Claims submissions must include the following information:**

1. Claimant's name, address, and phone number and the installation address (if different).
2. A description of the product, purchase price, date and location of purchase, and copies of invoices, if available.
3. A description of the defect(s), photos are required.
4. A brief summary of attempts made to address the concerns.

© 2007 - 20121 Rockwood Retaining Walls, Inc. All Rights Reserved. Please see copyright notice on page 2.

## Optional Cooking Grate Assembly

Connect bracket (A) to ring as shown. Position grate (B) above bracket and secure with post (C). Screw on handle and secure with nut (D). For anti-theft feature, secure pin with bolt (E).



**ATTENTION:** The cooking grate must be seasoned before cooking food directly on the surface.

Expose the grate to an open flame until the enamel finish is completely removed. If you wish to cook on the grate before it is seasoned, place aluminum foil between the grate and your food item. Pans, skillet or meat baskets can also be used to keep the food from touching the grate.

When the grate is completely seasoned it should be heated and thoroughly cleaned with a wire brush before placing food items on it.

Brush vegetable oil on the grate to keep meat from sticking. After each use, brush vegetable oil on the grate to keep grate seasoned. Do not use aerosol spray oils around an open flame.